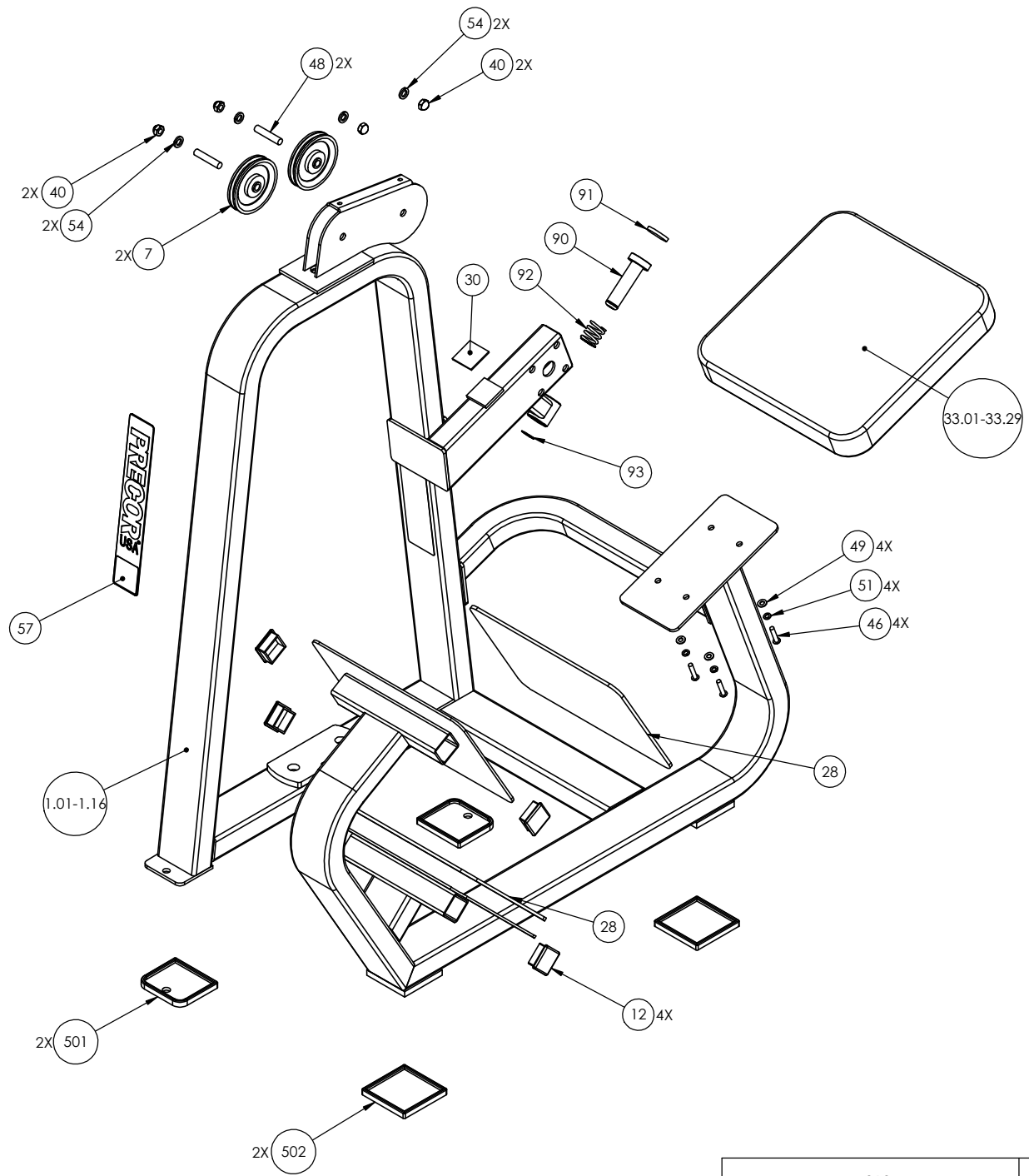
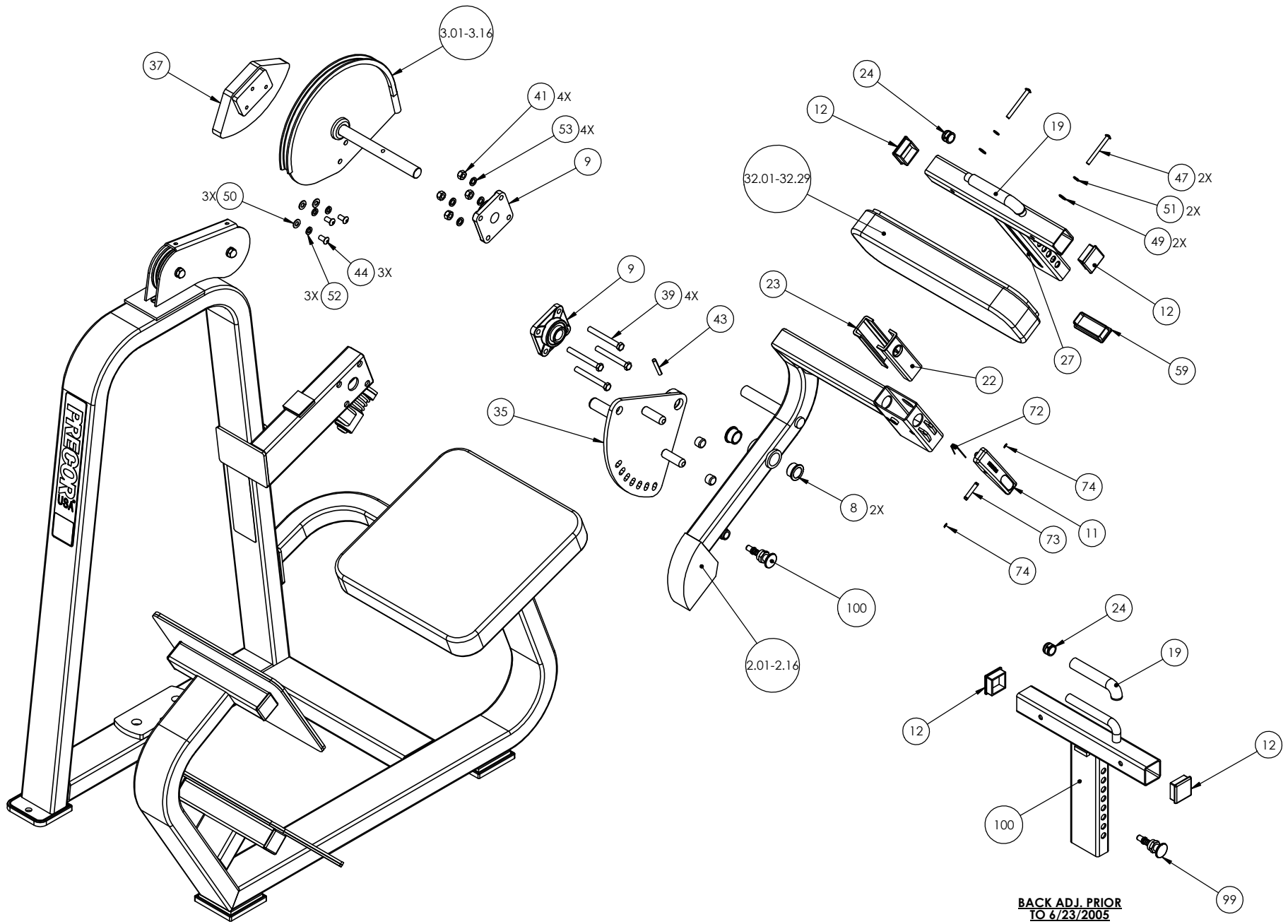


313	P/N : CW31476-102	SUBREV : C02
DRAWN BY : KAW	DATE : 5.16.13	SHEET 1 OF 4

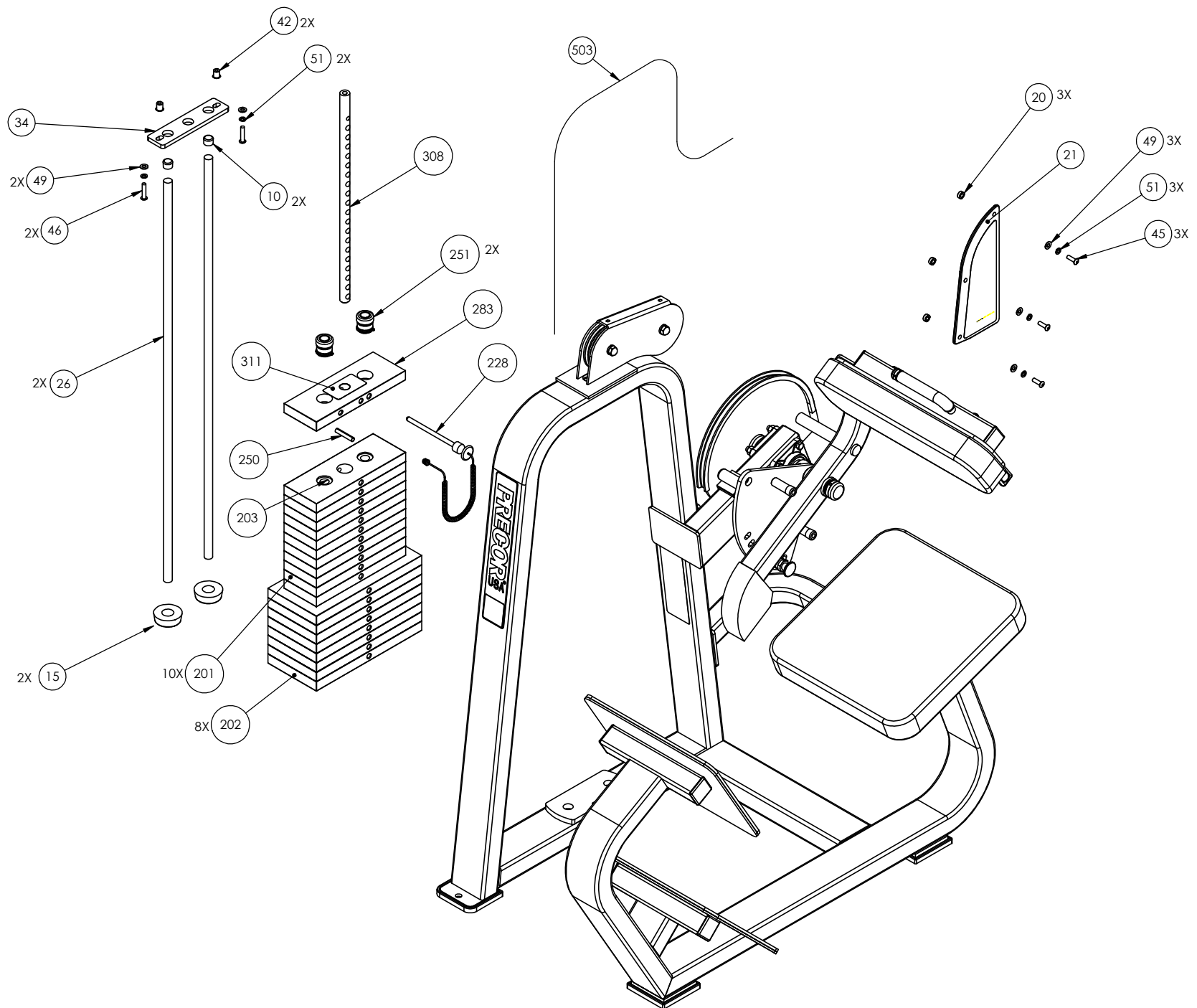


313	P/N : CW31476-102	SUBREV : C02
DRAWN BY : KAW	DATE : 5.16.13	SHEET 2 OF 4



**BACK ADJ. PRIOR
TO 6/23/2005**

313	P/N : CW31476-102	SUBREV : C02
DRAWN BY : KAW	DATE : 5.16.13	SHEET 3 OF 4



313	P/N : CW31476-102	SUBREV : C02
DRAWN BY : KAW	DATE : 5.16.13	SHEET 4 OF 4

313 Low Back

Part Number	Description	Bubble Number
CW313SA1-211	ASSY,FRAME,MAIN,313,SKY WHITE	1.01
CW313SA1-221	ASSY,FRAME,MAIN,313,BLACK	1.02
CW313SA1-231	ASSY,FRAME,MAIN,313,RED	1.03
CW313SA1-241	ASSY,FRAME,MAIN,313,PLATINUM SPRKLE	1.04
CW313SA1-251	ASSY,FRAME,MAIN,313,SILVER	1.05
CW313SA1-261	ASSY,FRAME,MAIN,313,BLUE	1.06
CW313SA1-271	ASSY,FRAME,MAIN,313,CHARCOAL	1.07
CW313SA1-281	ASSY,FRAME,MAIN,313,CATHEDRAL GRAY	1.08
CW313SA1-291	ASSY,FRAME,MAIN,313,SILVER VIEN	1.09
CW313SA1-311	ASSY,FRAME,MAIN,313,STONE HG	1.11
CW313SA1-321	ASSY,FRAME,MAIN,313,TITANIUM HG	1.12
CW313SA1-331	ASSY,FRAME,MAIN,313,WHITE GLOSS	1.13
CW313SA1-341	ASSY,FRAME,MAIN,313,BLACK ONYX	1.14
CW313SA1-351	ASSY,FRAME,MAIN,313,LIGHT BRONZE	1.15
CW313SA1-361	ASSY,FRAME,MAIN,313,SAPPHIRE BLUE	1.16
CW313SA2-211	ASSY, ARM, 313,SKY WHITE	2.01
CW313SA2-212	ASSY, ARM, 313,SKY WHITE	2.01
CW313SA2-221	ASSY, ARM, 313,BLACK	2.02
CW313SA2-231	ASSY, ARM, 313,RED	2.03
CW313SA2-241	ASSY, ARM, 313,PLAT SPKLE	2.04
CW313SA2-251	ASSY, ARM, 313,SILVER	2.05
CW313SA2-261	ASSY, ARM, 313,BLUE	2.06
CW313SA2-271	ASSY, ARM, 313,CHARCOAL	2.07
CW313SA2-281	ASSY, ARM, 313,CATH GRY	2.08
CW313SA2-291	ASSY, ARM, 313,SILVER VIEN	2.09
CW313SA2-312	ASSY, ARM, 313,STONE HG	2.11
CW313SA2-321	ASSY, ARM, 313,TITANIUM HG	2.12
CW313SA2-322	ASSY, ARM, 313,TITANIUM HG	2.12
CW313SA2-331	ASSY, ARM, 313,WHITE GLOSS	2.13
CW313SA2-341	ASSY, ARM, 313,BLACK ONYX	2.14
CW313SA2-361	ASSY, ARM, 313, SAPPHIRE BLUE	2.16
CW313SA3-211	ASSY, CAM 313,SKY WHITE	3.01
CW313SA3-221	ASSY, CAM 313, BLACK	3.02
CW313SA3-231	ASSY, CAM 313, RED	3.03
CW313SA3-241	ASSY, CAM 313, PLATINUM SPRKL	3.04
CW313SA3-251	ASSY, CAM 313, SILVER	3.05
CW313SA3-261	ASSY, CAM 313, BLUE	3.06
CW313SA3-271	ASSY, CAM 313, CHARCOAL	3.07
CW313SA3-281	ASSY, CAM 313, CATHEDRAL GREY	3.08
CW313SA3-291	ASSY, CAM 313, SILVER VIEN	3.09
CW313SA3-311	ASSY, CAM 313,STONE HG	3.11
CW313SA3-321	ASSY, CAM 313, TITANIUM HG	3.12
CW313SA3-331	ASSY, CAM 313, WHITE GLOSS	3.13
CW313SA3-341	ASSY, CAM 313, BLACK ONYX	3.14
CW313SA3-351	ASSY, CAM 313, LIGHT BRONZE	3.15
CW313SA3-361	ASSY, CAM 313, SAPPHIRE BLUE	3.16
CW30033-101	LABEL,INSTRUCTION,313	4
CWAC1001-101	LABEL, "ICARIAN", 1 1/2 X 8 1/8	5

CWAC1002-101	LABEL, "ICARIAN", 3 X 16 3/8	6
CWAC1009-101	PULLEY, 4 1/2 DIA X 1/2 ID	7
CW10043-134	BUSHING, BRONZE, 1" ID X 1 1/4" OD	8
CW12405-101	PILLOW BLOCK, BEARING, FLANGE, 4 BO	9
CW12404-101	CAP, GUIDE ROD, DIA 3/4, BLK	10
CW32460-221	ASSY, RATCHETING LEVER, BLACK	11
CW11311-103	ENDCAP, REC TUBE, 2X2, BLK PLASTIC	12
CW12402-101	BUMPER, ID 1.050, BLK RUBBER	15
CW34822-101	LABEL, "ASSEMBLED IN THE USA"	16
CWAC1161-101	LABEL, ROUND, "MADE IN USA"	16
CWAC1183-101	LABEL, WARNING, SERIOUS INJURY	18
CWGR4806-000	GRIP, RUBBER, .75" OD HANDLE, 6.00"	19
CWAC1228-901	SPACER, ALU, .328 ID X .625 OD X .25	20
CW30007-101	PLACARD, CLEAR LEXAN, ANGLED	21
CW33626-901	GUIDE, THIN, TELESCOPING TUBE	22
CW33626-902	GUIDE, THCK, TELESCOPING TUBE	23
CWAC220-901	HANDLE END CAP W/SET SCREWS, DIA 3/	24
CWAC222-901	ASSY, SHAFT END CAP W/SET SCREWS, D	25
CWPF1212-711	GUIDE ROD, 3/4 X 42 5/8 (#4), CHM	26
CW32217-711	ASSEMBLY, BACK ADJUSTMENT, 8 HOLE,	27
CW30013-222	CUT PIECE, CREPE, 1/4 THICK, 12.00	28
CW33589-101	ASSY, ABS BLACK, 1/8 X 2 X 2, W/ TA	30
CWPD1106B-101	PAD, 6X20, 2HOLES, W/BP, BLACK	32.01
CWPD1106B-102	PAD, 6X20, 2HOLES, W/BP, RYL BL	32.02
CWPD1106B-103	PAD, 6X20, 2HOLES, W/BP, DVE GRY	32.03
CWPD1106B-104	PAD, 6X20, 2HOLES, W/BP, CROCUS	32.04
CWPD1106B-105	PAD, 6X20, 2HOLES, W/BP, GROTTO	32.05
CWPD1106B-106	PAD, 6X20, 2HOLES, W/BP, GRAPHITE	32.06
CWPD1106B-107	PAD, 6X20, 2HOLES, W/BP, RED	32.07
CWPD1106B-108	PAD, 6X20, 2HOLES, W/BP, CHN GRN	32.08
CWPD1106B-109	PAD, 6X20, 2HOLES, W/BP, TURQSE	32.09
CWPD1106B-110	PAD, 6X20, 2HOLES, W/BP, RASP	32.1
CWPD1106B-111	PAD, 6X20, 2HOLES, W/BP, PLUM	32.11
CWPD1106B-112	PAD, 6X20, 2HOLES, W/BP, REGIMENT	32.12
CWPD1106B-113	PAD, 6X20, 2HOLES, W/BP, SPC BLUE	32.13
CWPD1106B-115	PAD, 6X20, 2HOLES, W/BP, BLK LTHR	32.15
CWPD1106B-116	PAD, 6X20, 2HOLES, W/BP, NVBL LTH	32.16
CWPD1106B-117	PAD, 6X20, 2HOLES, W/BP, PUTTY	32.17
CWPD1106B-118	PAD, 6X20, 2HOLES, W/BP, IMPRL BLUE	32.18
CWPD1106B-119	PAD, 6X20, 2HOLES, W/BP, YEW GREEN	32.19
CWPD1106B-120	PAD, 6X20, 2HOLES, W/BP, DUSTY JADE	32.2
CWPD1106B-121	PAD, 6X20, 2HOLES, W/BP, TERRA COTTA	32.21
CWPD1106B-122	PAD, 6X20, 2HOLES, W/BP, PAPRIKA	32.22
CWPD1106B-123	PAD, 6X20, 2HOLES, W/BP, ASH LTHR	32.23
CWPD1106B-124	PAD, 6X20, 2HOLES, W/BP, CERULEAN LTHR	32.24
CWPD1106B-125	PAD, 6X20, 2HOLES, W/BP, CHARCOAL LTHR	32.25
CWPD1106B-126	PAD, 6X20, 2HOLES, W/BP, HUNTER LTHR	32.26
CWPD1106B-127	PAD, 6X20, 2HOLES, W/BP, MOSS LTHR	32.27
CWPD1106B-128	PAD, 6X20, 2HOLES, W/BP, SPICE LTHR	32.28
CWPD1106B-129	PAD, 6X20, 2HOLES, W/BP, TOMATO LTHR	32.29
CWPD1115B-101	PAD, 17X17, 4HOLES, W/BP, BLACK	33.01

CWPD1115B-102	PAD,17X17,4HOLES,W/BP,RYL BL	33.02
CWPD1115B-103	PAD,17X17,4HOLES,W/BP,DV GRY	33.03
CWPD1115B-104	PAD,17X17,4HOLES,W/BP,CROCUS	33.04
CWPD1115B-105	PAD,17X17,4HOLES,W/BP,GROTTO	33.05
CWPD1115B-106	PAD,17X17,4HOLES,W/BP,GRPHE	33.06
CWPD1115B-107	PAD,17X17,4HOLES,W/BP,RED	33.07
CWPD1115B-108	PAD,17X17,4HOLES,W/BP,CH GRN	33.08
CWPD1115B-109	PAD,17X17,4HOLES,W/BP,TURQSE	33.09
CWPD1115B-110	PAD,17X17,4HOLES,W/BP,RASP	33.1
CWPD1115B-111	PAD,17X17,4HOLES,W/BP,PLUM	33.11
CWPD1115B-112	PAD,17X17,4HOLES,W/BP,REGMNT	33.12
CWPD1115B-113	PAD,17X17,4HOLES,W/BP,SP BLUE	33.13
CWPD1115B-115	PAD,17X17,4HOLES,W/BP,BLK LTH	33.15
CWPD1115B-116	PAD,17X17,4HOLES,W/BP,NB LTH	33.16
CWPD1115B-117	PAD,17X17,4HOLES,W/BP,PUTTY	33.17
CWPD1115B-118	PAD,17X17,4HOLES,W/BP,IMPRL BLUE	33.18
CWPD1115B-119	PAD,17X17,4HOLES,W/BP,YEW GREEN	33.19
CWPD1115B-120	PAD,17X17,4HOLES,W/BP,DUSTY JADE	33.2
CWPD1115B-121	PAD,17X17,4HOLES,W/BP,TERRA COTTA	33.21
CWPD1115B-122	PAD,17X17,4HOLES,W/BP,PAPRIKA	33.22
CWPD1115B-123	PAD,17X17,4HOLES,W/BP,ASH LTHR	33.23
CWPD1115B-124	PAD,17X17,4HOLES,W/BP,CERULEAN LTHR	33.24
CWPD1115B-125	PAD,17X17,4HOLES,W/BP,CHARCOAL LTHR	33.25
CWPD1115B-126	PAD,17X17,4HOLES,W/BP,HUNTER LTHR	33.26
CWPD1115B-127	PAD,17X17,4HOLES,W/BP,MOSS LTHR	33.27
CWPD1115B-128	PAD,17X17,4HOLES,W/BP,SPICE LTHR	33.28
CWPD1115B-129	PAD,17X17,4HOLES,W/BP,TOMATO LTHR	33.29
CWPF1016-732	BAR,,FLAT CR/HR, 3/8 X 2 X 8 1/4, 3	34
CWSA1103-721	ASSEMBLY,RANGE LIMITER,313,WRKL BLK	35
CWSA1500-721	WELDMNT, COUNTER WEIGHT, 1" THK, W	37
CWHCYN044-375	SCREW, HEX HEAD, BLK XYLAN, 7/16-	39
CWKADLN050-081	NUT, ACORN, 1/2-13	40
CWKMYN044-038	NUT, HEX, UNC, 7/16-14, BLK XYLAN	41
CW12537-109	NUT,INSERT,THIN-NUT,LARGE FLANGE	42
CWLDNN031-200	SLOTTED PIN SPRING, DIA 5/16 X 2.00	43
CWTAYN038-075	SCREW, BUTTON HEAD, BLK XYLAN, 3/8	44
CWTAYN031-100	SCREW, BUTTON HEAD, BLK XYLAN, 5/16	45
CWTAYN031-150	SCREW, BUTTON HEAD, BLK XYLAN, 5/16	46
CWTAYN031-300	SCREW, BUTTON HEAD, BLK XYLAN, 5/16	47
CWBFNN050-250	STUD, 1/2-13 X 2 1/2	48
CWWBKN031-007	WASHER, FLAT, TYPE A, SAE, 5/16 ID	49
CWWBKN038-007	WASHER, FLAT, TYPE A, SAE, 3/8 ID	50
CWWALYN031-008	WASHER, SPLIT, 5/16 ID, BL	51
CWWALYN038-009	WASHER, SPLIT, 3/8 ID, BLK XYLAN	52
CWWALYN044-011	WASHER, SPLIT, 7/16 ID, BLK XYLAN	53
CWWALYN050-013	WASHER, SPLIT, 1/2 ID, BLK XYLAN	54
CW30142-101	ASSY, LABEL,INSTRUCTION,313	56
CW31756-101	LABEL, PRECOR USA ICARIAN LINE	57
CW31784-731	STOP PLUG, BLK ZN	58
CW12633-101	ENDCAP, REC TUBE, LDP, 1 1/2 X 3 1	59
CW12634-101	SPRING, TORSION 90 DEG X 0.484 X 0.	72

CW31770-742	LATCH PIVOTING PIN, CLR ZN	73
CWAMNN028-003	RING, RETAINING, 2-TURN, SPIRAL, SS	74
CWSA1120-731	WELDMNT, SPRING STOP, BLK ZN	90
CW31484-711	ASSY, BACK ADJUSTMENT, 8 HOLES, CHM	99
CW30165-752	ASSY, POP PIN, 0.450 DIA NOSE, BLU	100
CWAC1133-101	BUSHING, WEIGHT PLATE, LDPE PLASTIC	203
CW33870-102	ASSEMBLY, 5" WEIGHT STACK PIN & LEA	228
CW10519-721	PLATE, WEIGHT, 20 LBS, WRKL BLK	279
CW33273-101	LABELS,WEIGHT STACK,280 LBS,20-280	399
CW12537-109	NUT,INSERT,THIN-NUT,LARGE FLANGE	400
CWPF3143-211	SHROUD,SHEET,STEEL,4 BENDS, SKY WHI	402.01
CWPF3143-221	SHROUD,SHEET,STEEL,3/32 THICK,4 BEN	402.02
CWPF3143-231	SHROUD,SHEET,STEEL,3/32 THICK,4 BEN	402.03
CWPF3143-241	SHROUD,SHEET,STEEL,3/32 THICK,4 BEN	402.04
CWPF3143-251	SHROUD,SHEET,STEEL,3/32 THICK,4 BEN	402.05
CWPF3143-261	SHROUD,SHEET,STEEL,3/32 THICK,4 BEN	402.06
CWPF3143-271	SHROUD,SHEET,STEEL,3/32 THICK,4 BEN	402.07
CWPF3143-281	SHROUD,SHEET,STEEL,3/32 THICK,4 BEN	402.08
CWPF3143-291	SHROUD,SHEET,STEEL,3/32 THICK,4 BEN	402.09
CWPF3143-311	SHROUD,SHEET,STEEL,3/32 THICK,4 BEN	402.11
CWPF3143-321	SHROUD,SHEET,STEEL,4 BENDS, TITANIU	402.12
CWPF3143-331	SHROUD,SHEET,STEEL,3/32 THICK,4 BEN	402.13
CWPF3143-341	SHROUD,SHEET,STEEL,3/32 THICK,4 BEN	402.14
CWPF3143-351	SHROUD,SHEET,STEEL,3/32 THICK,4 BEN	402.15
CWPF3143-361	SHROUD,SHEET,STEEL,3/32 THICK,4 BEN	402.16
CWPF3143-711	SHROUD,SHEET,STEEL,3/32 THICK,4 BEN	402.17
CWPF3144-721	SHROUD BRKT,PLATE,STEEL,1/8 THICK,1	403
CWPF3145-721	SHROUD BRKT,PLATE,STEEL,1/8 THICK,2	404
CWTAYN031-100	SCREW, BUTTON HEAD, BLK XYLAN, 5/16	405
CWWALYN031-008	WASHER, SPLIT, 5/16 ID, BL	406
CWWBKN031-007	WASHER, FLAT, TYPE A, SAE, 5/16 ID	407
CWAC1177-101	FLOOR PROTECTOR, RUBBER, 4.563 X 4.	501
CWAC1181-101	FLOOR PROTECTOR, RUBBER, 4.563 X 4.	502
CWCLGH064-875	ASSY, CABLE, 313	503